

Pendant Wall Arm

WLMT-1021, WLMT-1031



Specifications

	WLMT-1021	WLMT-1031
Dimensions	203.9mm x 170mm x 99.5mm (8.03" x 6.69" x 3.92")	334mm x 170mm x 99.5mm (23.15" x 6.69" x 3.92")
Weight	0.83kg (1.8lb)	1.5kg (3.3lb)
Material	Diecast aluminum	
Finish	Powdercoat grey (Pantone 427C)	

Ordering Information

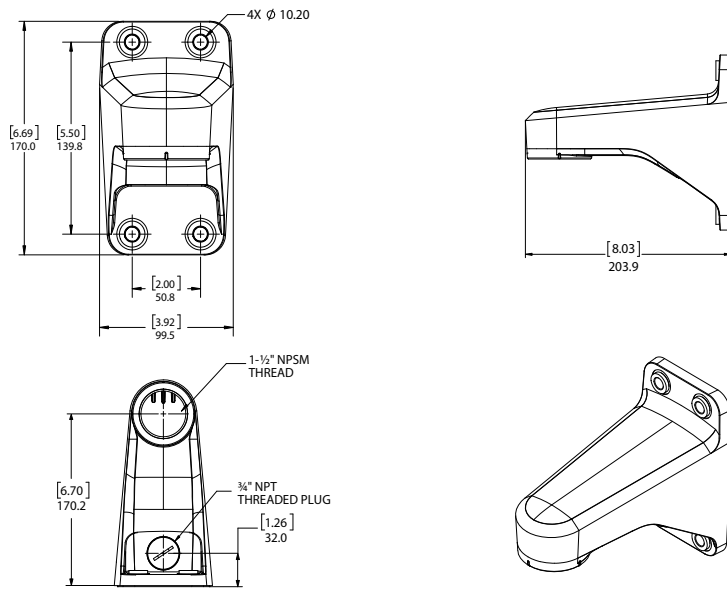
Part Number	Description
WLMT-1021	Wall Arm Mount, 20cm, for 1.5" NPT Adapter
WLMT-1031	Wall Arm Mount, 33cm, for 1.5" NPT Adapter

Aug 2024 | Rev 1

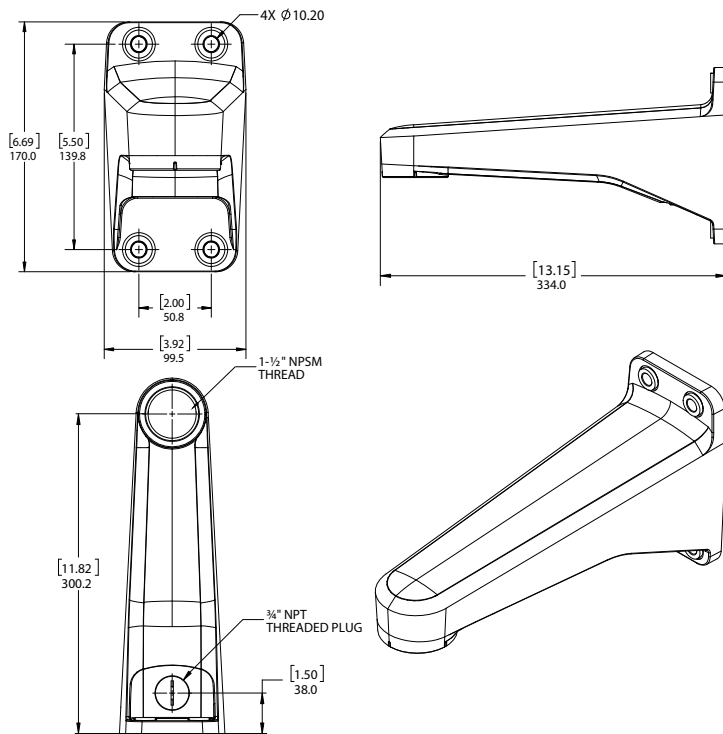
Outline Dimensions

[X.X]	INCHES
X	MM

WLMT-1021



WLMT-1031



Aug 2024 | Rev 1

© 2024, Motorola Solutions, Inc. All rights reserved. MOTOROLA, MOTO, MOTOROLA SOLUTIONS, and the Stylized M Logo are trademarks or registered trademarks of Motorola Trademark Holdings, LLC and are used under license.